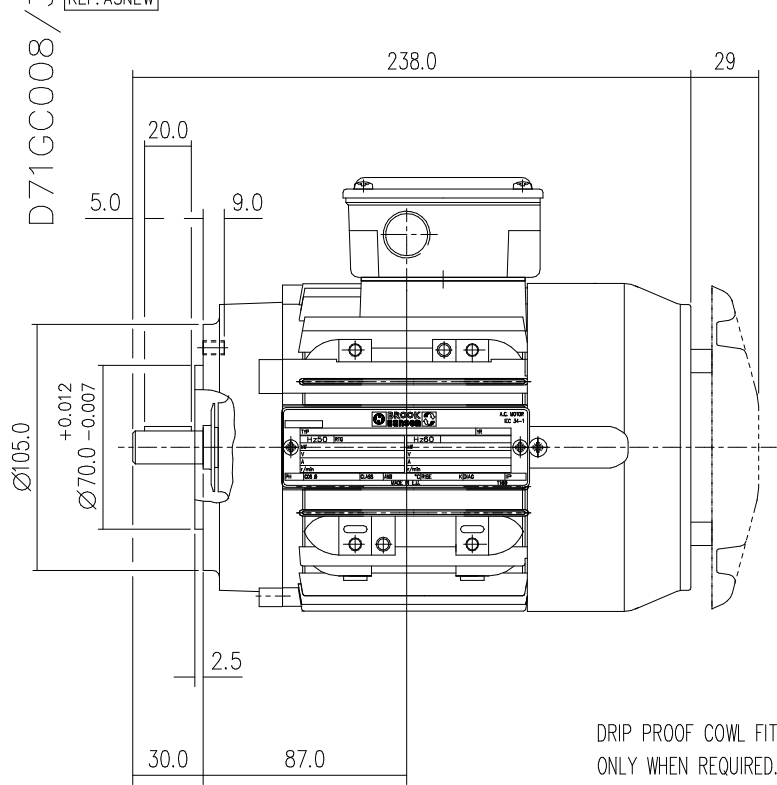
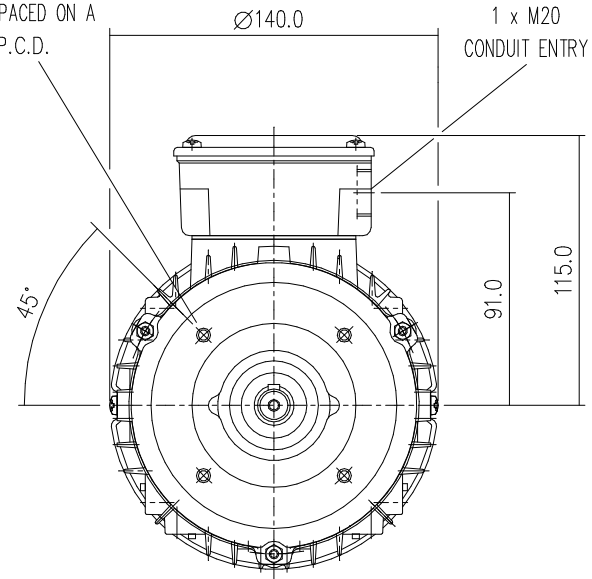


D71GC008/3 REF: A3NEW

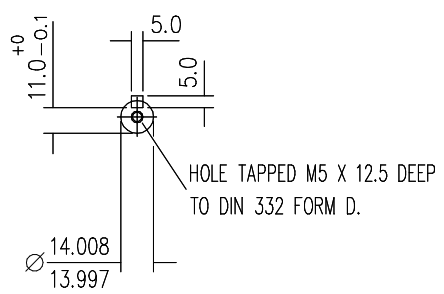


4 HOLES TAPPED M6
EQUI-SPACED ON A
85.0 P.C.D.



DRIP PROOF COWL FITTED
ONLY WHEN REQUIRED.

CUSTOMER		
ORDER No.		
SERIAL No.		
FRAME SIZE		
KW.		RPM.
Hz		PHASE
VOLTS		POLES
BRGS.	DE.	NDE.
MOTOR NETT WT.		Kg.
SPECIAL REMARKS		



ALL DIMENSIONS IN MILLIMETRES

TERMINAL BOX CAN BE ARRANGED IN 9 OR 6 O-CLOCK POSITIONS
CONDUIT ENTRY CAN BE ARRANGED IN 4 ALTERNATIVE POSITIONS

OUTLINE DIMENSION DRAWING TOTALLY ENCLOSED FAN COOLED D71S FRAME
ALUMINIUM 'C' FACE FLANGE MOUNTED MOTOR.

DJR 4-9-95
RS 4-9-95
1:2

D71GC008/3
RR 19/08/02